

OPL OMNIDIRECTIONAL PERIMETER LED LIGHT

Helideck perimeter light in accordance with ICAO and CAP437 (offshore areas).
Light installation possibilities. The marine is characterised by a higher degree of environmental resistance.



TECHNICAL CHARACTERISTICS

- Light source: high-intensity LED
- Dimensions: 150x150x150 mm
- Mass: 3 kg
- Power supply: 24VAC/DC or 120 ÷ 240VAC, 50/60 Hz,
- Temperature: -55° C + 55° C
- Degree of protection: IP67 (En60529)
- Marine Version (M): marine environment treatment for exposed surfaces; chromed brass cable gland;



OPL - S S S - S - S - S

Power supply

024= 24 V AC/DC

120= 110 ÷ 240 VAC

230= 110 ÷ 240 VAC

Color

Y= Yellow

W= White

G= Green

R= Red

B= Blue

Frame

X= Without frame

R= Recessed

H= High

Protection

X= Normal

M= Marine

INSTALLATION

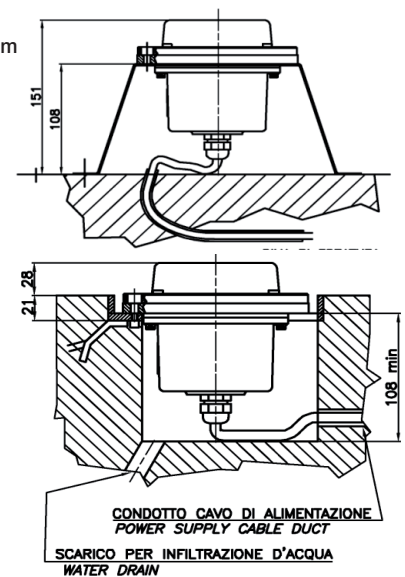
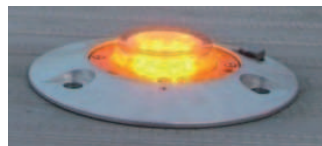
- 3 holes Ø 7 mm, 120° on Ø 240 mm
- ground clearance: 15 cm

FLUSH- MOUNTED

- walled frame
- ground clearance: 3 cm



DECK



Optional protection against impact by snow-ploughs