

## LWC LIGHTED WINDCONE

Windcone for helipads available in two sizes compliant with ICAO specification (Annex 14, Vol. II):

- (M) For ground level helipads - diameters: 60/30 cm, length: 240 cm
- (S) For terrace elysurfaces - size: 30/15 cm, length: 120 cm

Both versions consist of a support structure and a lightweight cone-shaped trunk bag. In nightly use, the lighting of the sleeve is produced by a high reliability LED lamp (low maintenance needed),

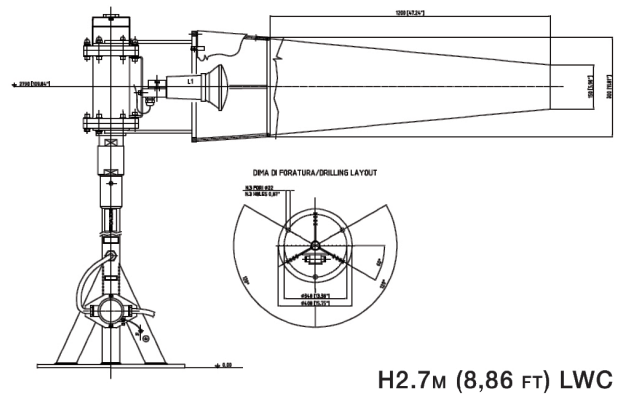
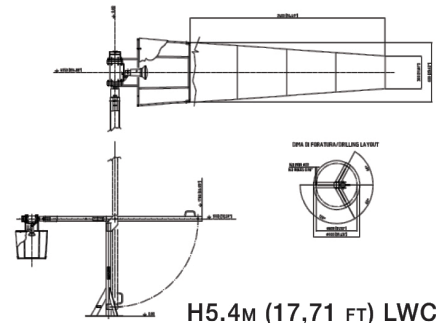


### TECHNICAL CHARACTERISTICS

- Light source: high intensity LED light
- Dimensions: h 2,7 m (S); h 5,4 m (M)
- Weight: about 25 kg (S); 140 kg (M)
- Power supply: 100÷240 Vac (50/60Hz)
- Consumption: 20 W
- Protection degree: IP65 (EN60529)
- Operative temperature: -55 / +55 °C
- Material: : steel structure with polyurethane painting on polyester substrate (orange RAL 2004); revolving braiding frame with slip ring



### MECHANICAL INTERFACE



### LWC – 120/230 - S

#### Power supply

120/230 = 100÷240 Vac (50/60Hz)

#### Height/Bag (S):

S = h 2,7 m (8,86 ft), bag 120 cm (47,2'), diameters 30/15 cm (11,85/5,9')

M = h 5,4 m (17,71 ft), bag 240 (94,5'), diameters 60/30 cm (23,6/11,8')

#### Obstacle

X = no

O = with obstacle signal