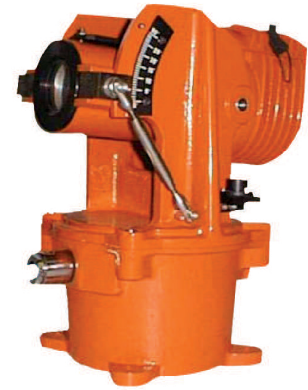




GPI LED - GLIDE PATH INDICATOR

Three color LED projector of the glide angle (GPI = Glide Path Indicator), Compliant with the STANAG 1236 military specification. The projector emits a three-color light beam that points out the landing path, simplifying the operational aspects of landing during night operations in difficult areas or in urban areas.
Optionally available the lighting intensity regulation.



NATO STANAG 1236

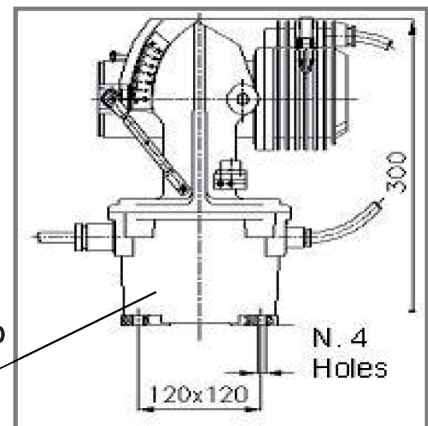


TECHNICAL CHARACTERISTICS

- Light source: high intensity LED lights
- Dimensions: 270x176x300(h) mm
- Weight: about 9 kg
- Power supply: 100÷240 Vac (50/60Hz)
- Consumption: 40 W
- Elevation angle: da 0° a 30°
- Degree of protection: IP55 (En 60529)
- Operating temperature: -30 / +55 °C
- Material: light aluminum alloy body
- Finishing: Basic protective treatment and RAL2004 orange polyurethane based painting



MECHANICAL INTERFACE



GPI LED – 120/230 – S – S

Power supply

120/230 = 100÷240 Vac(50/60Hz)

Dimming (S)

X = no (fixed lighting intensity)
D = dimming (variable light intensity with 0-10V or resistive signal)

Protection

X = standard
M = marine